



## Technisches Datenblatt

# EOS InfraTec Premium

## Control unit for infrared cabins with 3 warming zones and dimming function

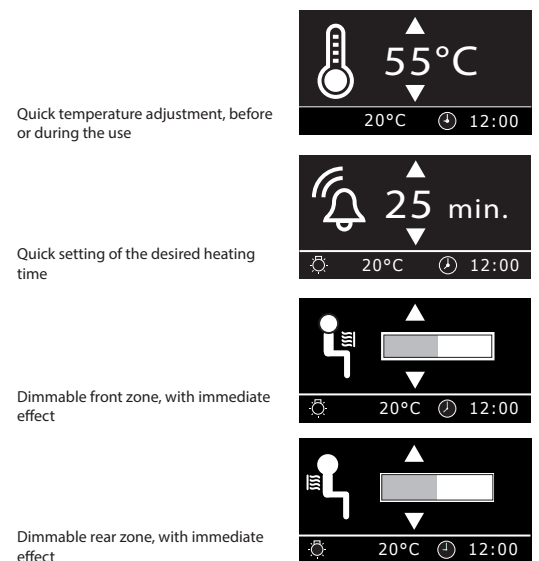
Electronic control unit for IR cabins with 3 separate warming zones and dimming. For private and commercial use.

### Your benefits:

- Comfortable, simple operation thanks to the illuminated LCD display with multi-language menu navigation
- Suitable for all IR radiators (ceramic, tube, quartz, foils)
- Two individually dimmable zones and one switchable zone
- Compact flush-mounted control panel
- Made in Germany quality by EOS

### Features:

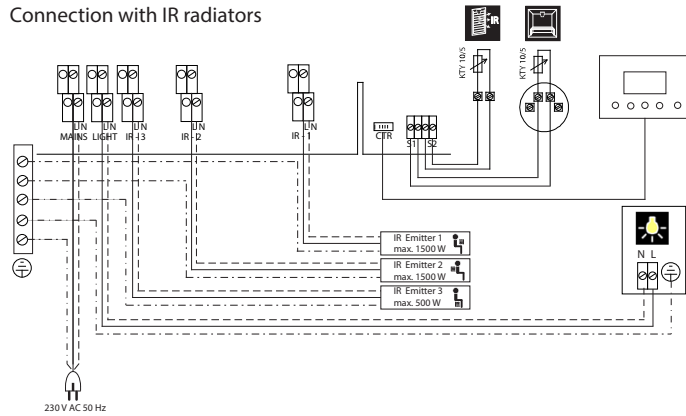
Control panel:	plastic, anthracite pearl effect, with 2 deco strips, flush-mounted installation, inc. 2 m connection cable.
Main relay box:	plastic, creme wheite, wall-mounting
Display:	LCD, 41 x 22 mm, multiline, alphanumeric, with backlighting
Menu navigation:	5 languages (DE, EN, FR, ES, NL), with clear text messages
Temperature control:	digital two point, KTY sensor
Control range:	30 - 70 °C (with sensor)
Warming zones:	2 dimmable zones, 1 switchable zone
Heating time:	0 - 99 min (private) / 0 - 12 h (commercial)
Power output:	max. 3500 W
Power supply:	230 V 1N AC 50 Hz
Other features:	Output for cabin light (max. 100 W), Optional sensor for heating foils, Temperature control via main sensor or via individual zone dimming.



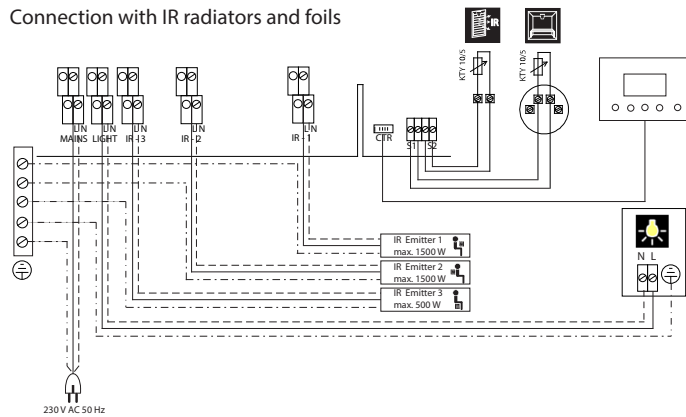
CE EAC IPx4 MADE IN GERMANY

### Connection diagram

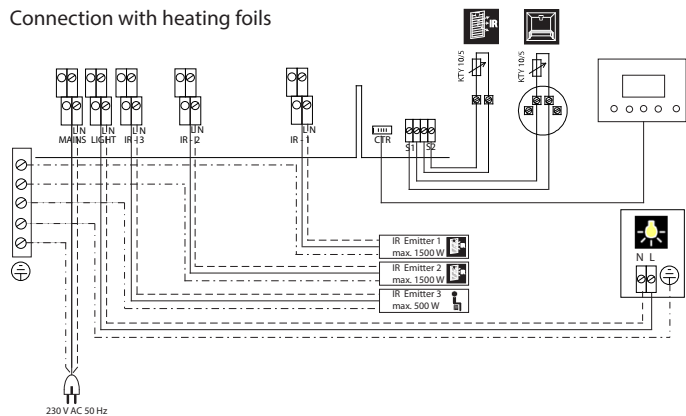
Connection with IR radiators



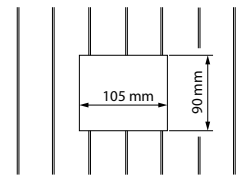
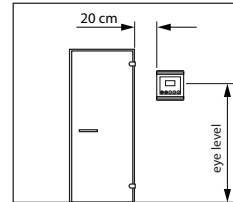
Connection with IR radiators and foils



Connection with heating foils



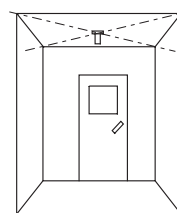
### Installation



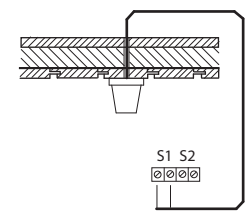
Wall cut-out when mounted in the wall

### Sensor installation

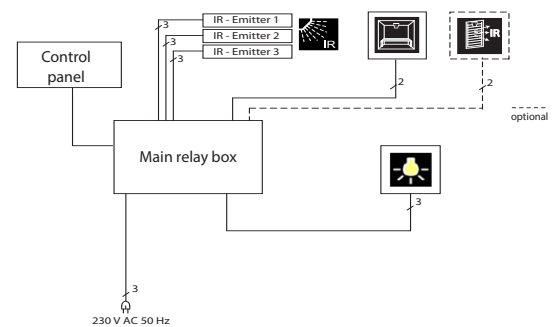
Installation place



Sensor mounting at the ceiling



### Connection plan



#### Front:

Dimmable. IR radiators and foils, recommended power up to 1.500 W

#### Rear:

Dimmable. IR radiators and foils, recommended power up to 1.500 W

#### Feet:

Switchable. IR radiators, recommended power up to 500 W

NOTICE: the total power of all IR emitters in any combination may not exceed 3500 W.

Item no.	Electrical connection	Power	Fuse protection	Temperature control range	Heating time	Dimension H/W/D in mm	Ambient temperature during operation	Gewicht ohne Verpackung
94.7808	230 V 1N AC 50Hz	max. 3,5 kW	16 A	30 - 70 °C	0 - 99 min or 0 - 12 h	130 x 118 x 23 mm control panel 240 x 230 x 70 mm relay box	-10 bis +60 °C control panel -10 bis +30 °C relay box	1,5 kg